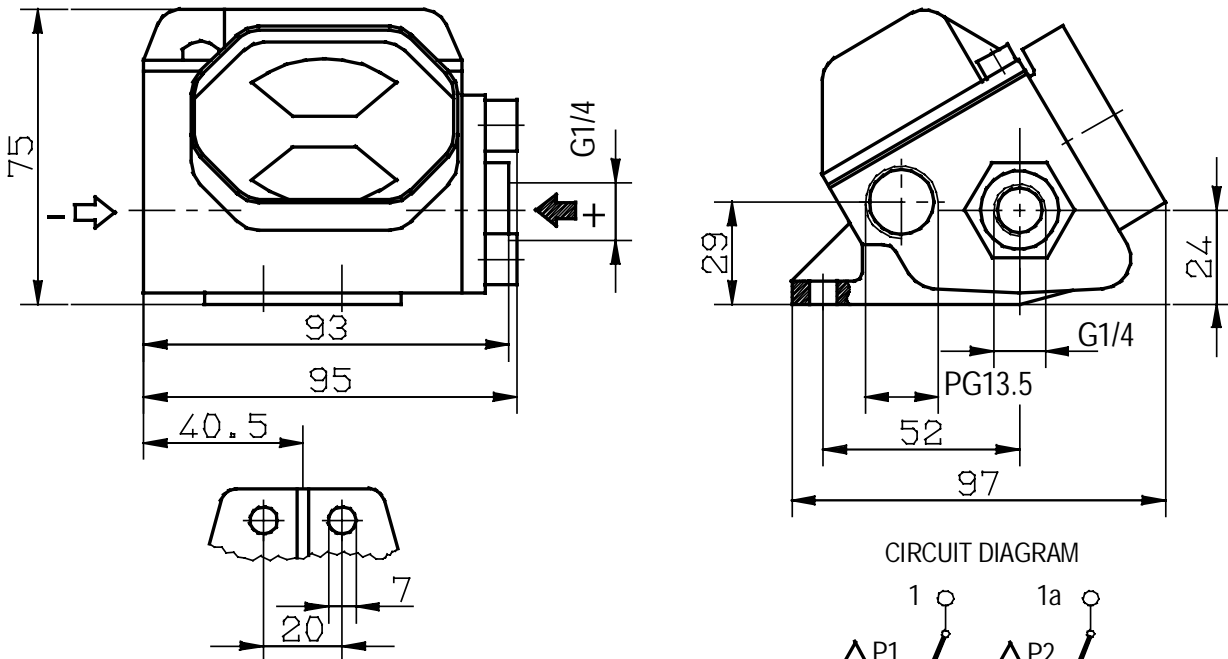


Z45550
TYP4.36.2
01.01.00



SPECIFICATION:
PROTECTION CLASS: IP 65

ELECTR. DATA:	SWITCHING VOLTAGE	V= MAX.=	250	220
	FREQUENCY	HZ MAX.=	0-60	0-60
	SWITCHING CURRENT	A MAX.=	1	0.8
	MAKING AND/OR BREAKING CAPACITY	WVA MAX.=	60/60	40/60

MATERIAL : GD - ALUMINIUM
RATING : MAX. PRESSURE 100 BAR
MAX. TEMPERATURE 150°C

RANGES OF PRESSURE DIFFERENTIAL: DELTA P =	0 - 0.5 BAR] TO BE SPECIFIED WHEN ORDERING
	0 - 0.8 BAR	
	0 - 1.2 BAR	
	0 - 2.0 BAR	
	0 - 3.0 BAR	

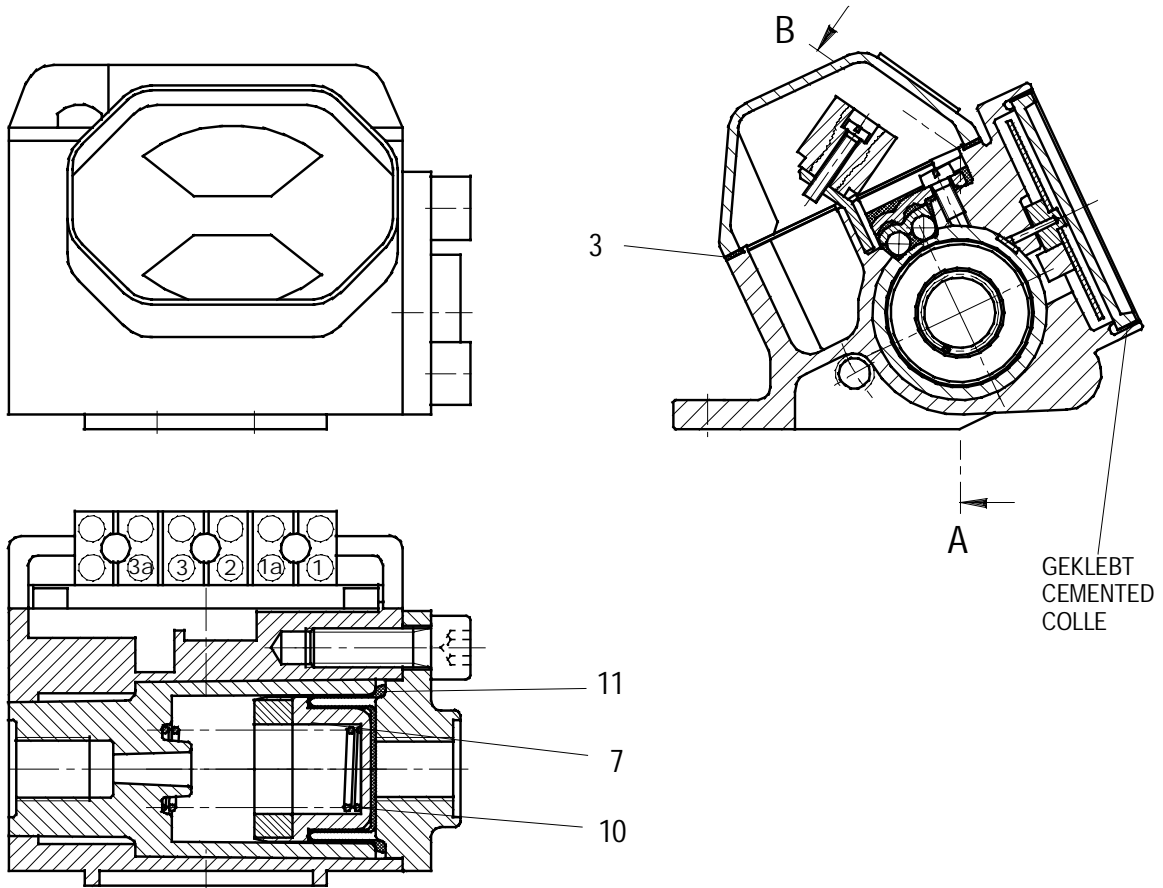
DESCRIPTION:
THE PURPOSE OF THIS DEVICE IS THE MEASUREMENT, AND VISUAL INDICATION OF THE DIFFERENCE IN PRESSURE BETWEEN TWO POINTS, AND THE ESTABLISHMENT OF AN ELECTRICAL CONTACT WHEN THE PRESSURE DIFFERENTIAL ATTAINS A SPECIFIED FIGURE.

METHOD OF OPERATION:
A PLUNGER SEALED BY A DIAPHRAGM SEPARATES THE SPACE UNDER PRESSURE INTO TWO CHAMBERS. A PRE-LOADED SPRING CAUSES THE PLUNGER TO TAKE UP ITS ZERO POSITION WHEN THE PRESSURE DIFFERENCE DELTA P IS ZERO. AS THE PRESSURE DIFFERENCE INCREASES (DELTA P > 0), THE PLUNGER IS FORCED TO MOVE AGAINST THE SPRING. AT THE SAME TIME, AN INDICATOR DISC IS MOVED MAGNETICALLY, AND THEREFORE VIRTUALLY WITHOUT FRICTION, AND THE TWO REED CONTACTS ARE ACTUATED.

THE RED SEGMENT OF THE INDICATOR DISC IS VISIBLE OVER A PRESSURE RANGE EQUAL TO APROX.50-100% DELTA P . THE FIRST REED CONTACT IS ACTUATED AT 75% DELTA P1, AND THE SECOND AT 100% DELTA P2.

DIFFERENTIAL PRESSURE CONTACT INDICATOR TYPE 4.36.2

Z21434
TYP4.36.2+4.46.2
11.02.94



A - B

BEI BESTELLUNG ANGEBEN
TO BE MENTIONED IN CASE OF ORDER
A MENTIONNER LORS DE LA COMMANDE

AUFTR.NR.:
ORDER NO.
NO DE COMMANDE

TYP 4.36.2

11	ROLLMEMBRAN	DIAPHRAGM	DIAPHRAGME	
10	FEDER	SPRING	RESSORT	
7	KOLBEN	PISTON	PISTON	
3	DICHTUNG	GASKET	JOINT	
POS.NR.	BEZEICHNUNG	DESIGNATION	DESIGNATION	

SPARE PARTS
DRAWING

ERSATZTEILZEICHNUNG
ZUM TYP 4.36.2 UND 4.46.2

PLAN DES PIECES
DE RECHANGE